

NOTES: UNLESS OTHERWISE SPECIFIED:

① THESE DRAWINGS DESCRIBE THE LOGIC OF THE SKUNK I.C. SPECIFIED IN T.I. PART NO. 1049723

11/21/79

| REVISIONS |             | DATE |
|-----------|-------------|------|
| REV       | DESCRIPTION | A    |

| INTERNAL | FUNCTION | PHYSICAL ADDRESS BIT 0 (MSB) | INTERNAL |
|----------|----------|------------------------------|----------|
| PA00     | "        | 1                            | GC       |
| PA01     | "        | 2                            | SRES     |
| PA02     | "        | 3                            | ROM      |
| PA03     | "        | 4                            | ALC      |
| PA04     | "        | 5                            | CMA      |
| PA05     | "        | 6                            | RDM      |
| PA06     | "        | 7                            | RDM      |
| PA07     | "        | 8                            | DBCA     |
| PA08     | "        | 9                            |          |
| PA09     | "        | 10                           |          |
| PA10     | "        | 11                           |          |
| PA11     | "        | 12                           |          |
| PA12     | "        | 13                           |          |
| PA13     | "        | 14                           |          |
| PA14     | "        |                              |          |
| PA15     |          |                              |          |
| PA16     |          |                              |          |
| PA17     |          |                              |          |
| PA18     |          |                              |          |
| PA19     |          |                              |          |
| PA20     |          |                              |          |
| PA21     |          |                              |          |
| PA22     |          |                              |          |
| PA23     |          |                              |          |
| PA24     |          |                              |          |
| PA25     |          |                              |          |
| PA26     |          |                              |          |
| PA27     |          |                              |          |
| PA28     |          |                              |          |
| PA29     |          |                              |          |
| PA30     |          |                              |          |
| PA31     |          |                              |          |
| PA32     |          |                              |          |
| PA33     |          |                              |          |
| PA34     |          |                              |          |
| PA35     |          |                              |          |
| PA36     |          |                              |          |
| PA37     |          |                              |          |
| PA38     |          |                              |          |
| PA39     |          |                              |          |
| PA40     |          |                              |          |
| PA41     |          |                              |          |
| PA42     |          |                              |          |
| PA43     |          |                              |          |
| PA44     |          |                              |          |
| PA45     |          |                              |          |
| PA46     |          |                              |          |
| PA47     |          |                              |          |
| PA48     |          |                              |          |
| PA49     |          |                              |          |
| PA50     |          |                              |          |
| PA51     |          |                              |          |
| PA52     |          |                              |          |
| PA53     |          |                              |          |
| PA54     |          |                              |          |
| PA55     |          |                              |          |
| PA56     |          |                              |          |
| PA57     |          |                              |          |
| PA58     |          |                              |          |
| PA59     |          |                              |          |
| PA60     |          |                              |          |
| PA61     |          |                              |          |
| PA62     |          |                              |          |
| PA63     |          |                              |          |
| PA64     |          |                              |          |
| PA65     |          |                              |          |
| PA66     |          |                              |          |
| PA67     |          |                              |          |
| PA68     |          |                              |          |
| PA69     |          |                              |          |
| PA70     |          |                              |          |
| PA71     |          |                              |          |
| PA72     |          |                              |          |
| PA73     |          |                              |          |
| PA74     |          |                              |          |
| PA75     |          |                              |          |
| PA76     |          |                              |          |
| PA77     |          |                              |          |
| PA78     |          |                              |          |
| PA79     |          |                              |          |
| PA80     |          |                              |          |
| PA81     |          |                              |          |
| PA82     |          |                              |          |
| PA83     |          |                              |          |
| PA84     |          |                              |          |
| PA85     |          |                              |          |
| PA86     |          |                              |          |
| PA87     |          |                              |          |
| PA88     |          |                              |          |
| PA89     |          |                              |          |
| PA90     |          |                              |          |
| PA91     |          |                              |          |
| PA92     |          |                              |          |
| PA93     |          |                              |          |
| PA94     |          |                              |          |
| PA95     |          |                              |          |
| PA96     |          |                              |          |
| PA97     |          |                              |          |
| PA98     |          |                              |          |
| PA99     |          |                              |          |
| PA100    |          |                              |          |

28 INPUTS

| 8 | 7 | 6 | 5 |
|---|---|---|---|
|   |   |   |   |

| DIMENSION IDENT | USED |
|-----------------|------|
|                 |      |

| REVISIONS |      | REVISIONS |             | REVISIONS      |      | REVISIONS |             |
|-----------|------|-----------|-------------|----------------|------|-----------|-------------|
| DATE      | APVD | REV       | DESCRIPTION | DATE           | APVD | REV       | DESCRIPTION |
|           |      |           |             | FORMAL RELEASE |      |           |             |
| DATE      | APVD | REV       | DESCRIPTION | DATE           | APVD | REV       | DESCRIPTION |

UNAVAILABLE

GCK  
 SRESET\*  
 ROMICS\*  
 ALCCS\*  
 CMAS\*  
 ROMIAM  
 ROMIAL  
 DECS\*

447+ KHE GROM CLOCK  
 SYSTEM RESET, ACTIVE LOW, OPEN COLLECTOR  
 ROM #1 CHIP SELECT, ACTIVE LOW  
 ALG BUS INTERFACE CHIP SELECT, ACTIVE LOW  
 COMMAND MODULE ADDRESS SPACE SELECT, ACTIVE LOW  
 ROM #1 MS ADDRESS BIT  
 " NMS "  
 DATA BUS BUFFER CONTROL, 0=ON, 1=OFF

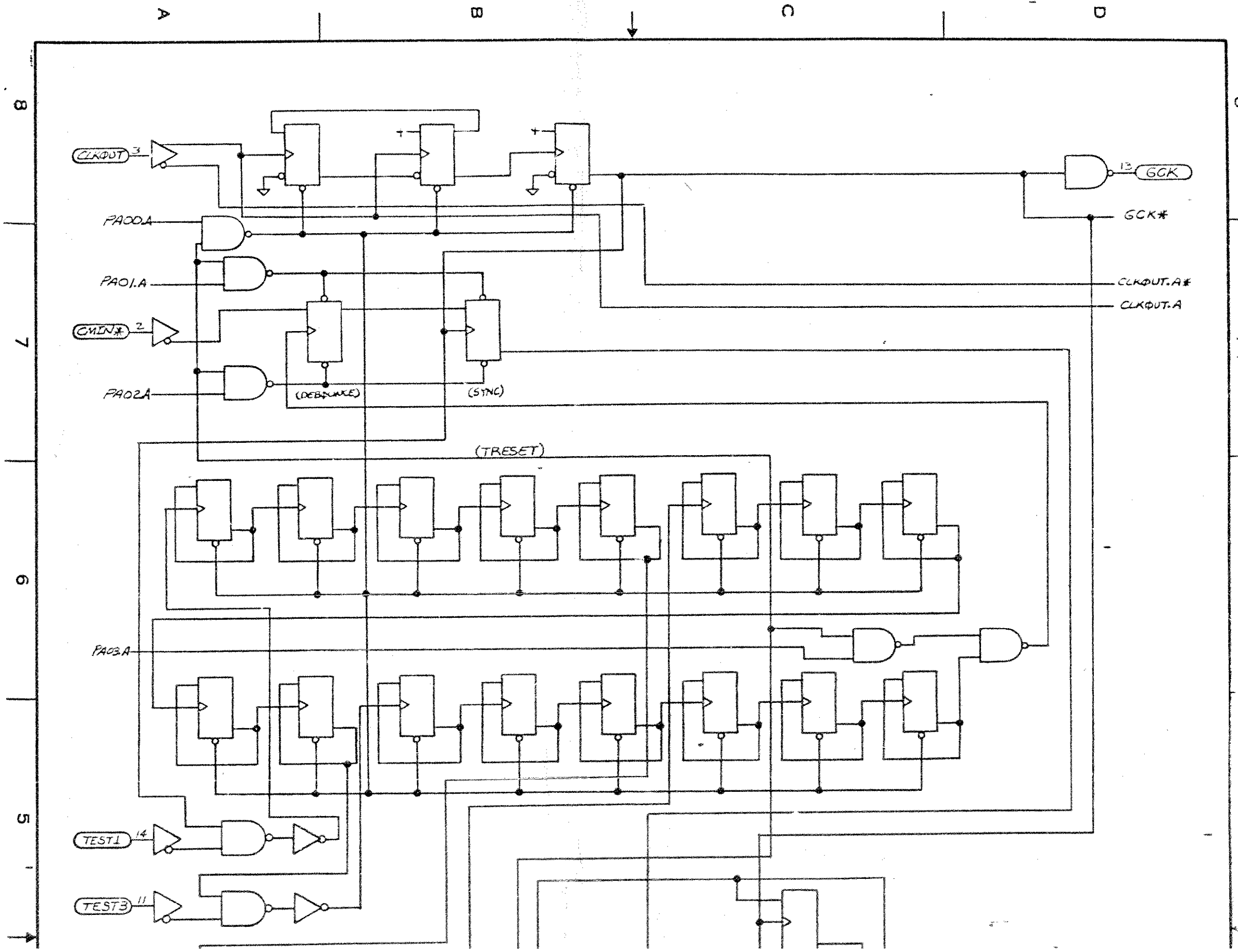
8 OUTPUTS

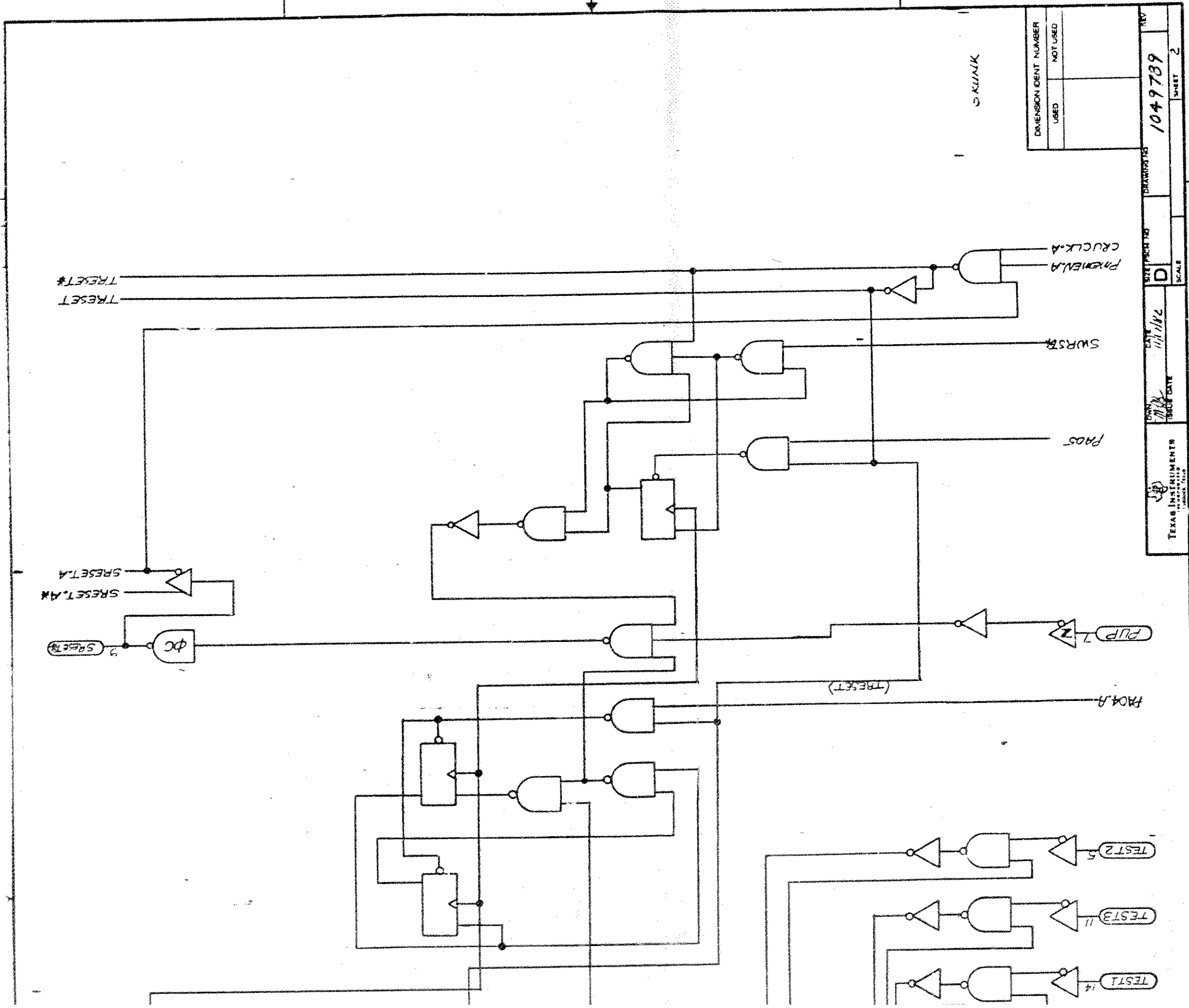
PIN #

|         |    |    |
|---------|----|----|
| PDBIN   | 1  | 40 |
| CMIN*   | 2  | 39 |
| CLKOUT  | 3  | 38 |
| LASCS*  | 4  | 37 |
| TEST 2  | 5  | 36 |
| SKDRCS* | 6  | 35 |
| PUP     | 7  | 34 |
| PBC*    | 8  | 33 |
| SRESET* | 9  | 32 |
| GND     | 10 | 31 |
| TEST 3  | 11 | 30 |
| ROMICS* | 12 | 29 |
| TEST 1  | 13 | 28 |
| ALCCS*  | 14 | 27 |
| ROMIAM  | 15 | 26 |
| ROMIAL  | 16 | 25 |
| CMAS*   | 17 | 24 |
| CRCLK*  | 18 | 23 |
| PA00    | 19 | 22 |
|         | 20 | 21 |

VCC  
 PMEMEN\*  
 MSAST\*  
 PA15/CLKOUT  
 PA14  
 PA13  
 PA12  
 PA11  
 PA10  
 GND  
 PA09  
 PA08  
 PA07  
 PA06  
 PA05  
 PA04  
 PA03  
 PA02  
 PA01  
 VCC

| ITEM NO. | PART NUMBER | DESCRIPTION                                                                                                                                                                | MATERIAL                                                                     | REMARKS                           |
|----------|-------------|----------------------------------------------------------------------------------------------------------------------------------------------------------------------------|------------------------------------------------------------------------------|-----------------------------------|
|          |             | PARTS LIST<br>1. DIMENSIONS ARE IN MILLIMETERS<br>2. TOLERANCES ANGLES 2 1/2°<br>3. PLACE DECIMALS 4<br>4. PLACE DECIMALS 6<br>5. DIMENSIONS IN ACCORDANCE WITH ANSI Y14.2 |                                                                              |                                   |
|          |             |                                                                                                                                                                            | TEXAS INSTRUMENTS<br>INCORPORATED<br>COMMERCIAL GROUP<br>DALLAS, TEXAS 75243 |                                   |
|          |             |                                                                                                                                                                            | LOGIC DIAGRAM, (SKUNK)<br>TAL004 GATE ARRAY<br>CF 40066                      |                                   |
|          |             |                                                                                                                                                                            | 601<br>359<br>USED ON<br>APPLICATION                                         |                                   |
|          |             |                                                                                                                                                                            | D<br>1049789<br>7/1/83                                                       |                                   |
|          |             |                                                                                                                                                                            |                                                                              | 2 40 1<br>3 3 1<br>4 4 1<br>5 5 1 |



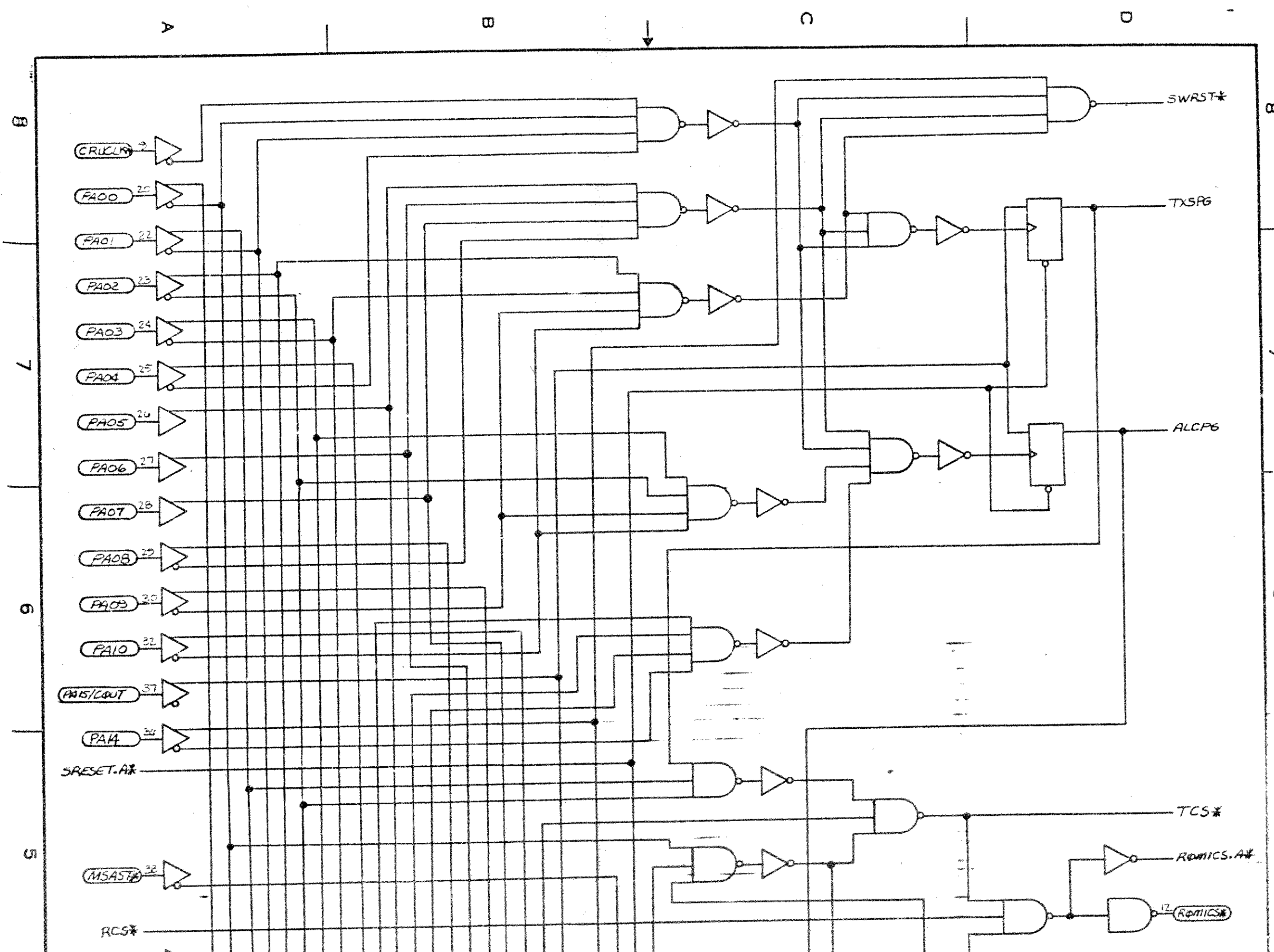


| DIMENSION IDENT NUMBER |          |
|------------------------|----------|
| USED                   | NOT USED |

|                                                   |             |       |   |
|---------------------------------------------------|-------------|-------|---|
| DATE                                              | 11/11/72    | SCALE | D |
| DESIGNER                                          | [Signature] | DATE  |   |
| TEXAS INSTRUMENTS<br>CORPORATION<br>DALLAS, TEXAS |             |       |   |
| DRAWING NO                                        | 1049789     | SHEET | 2 |
| REV                                               |             |       |   |

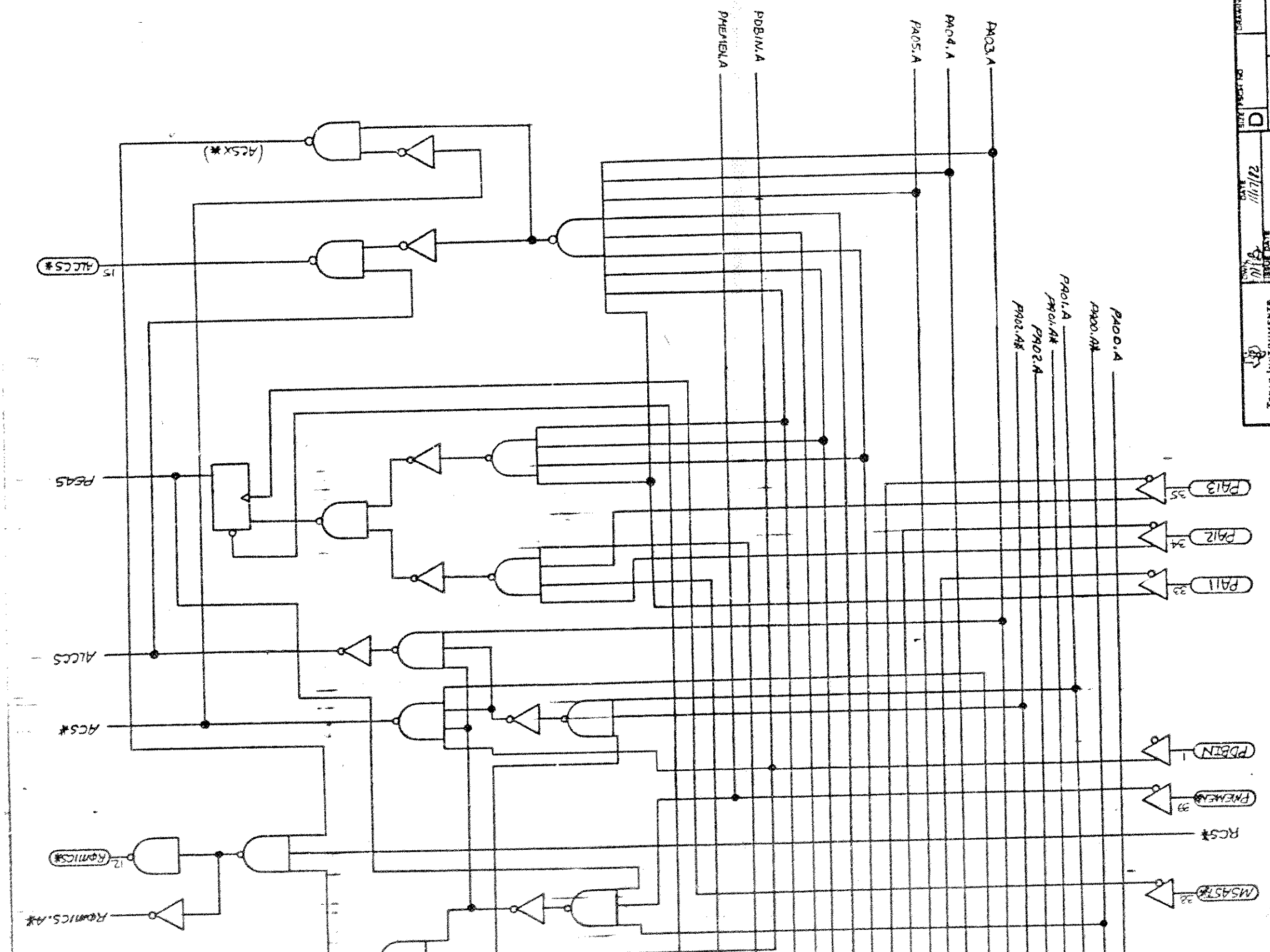
D C B A

1 2 3 4 5



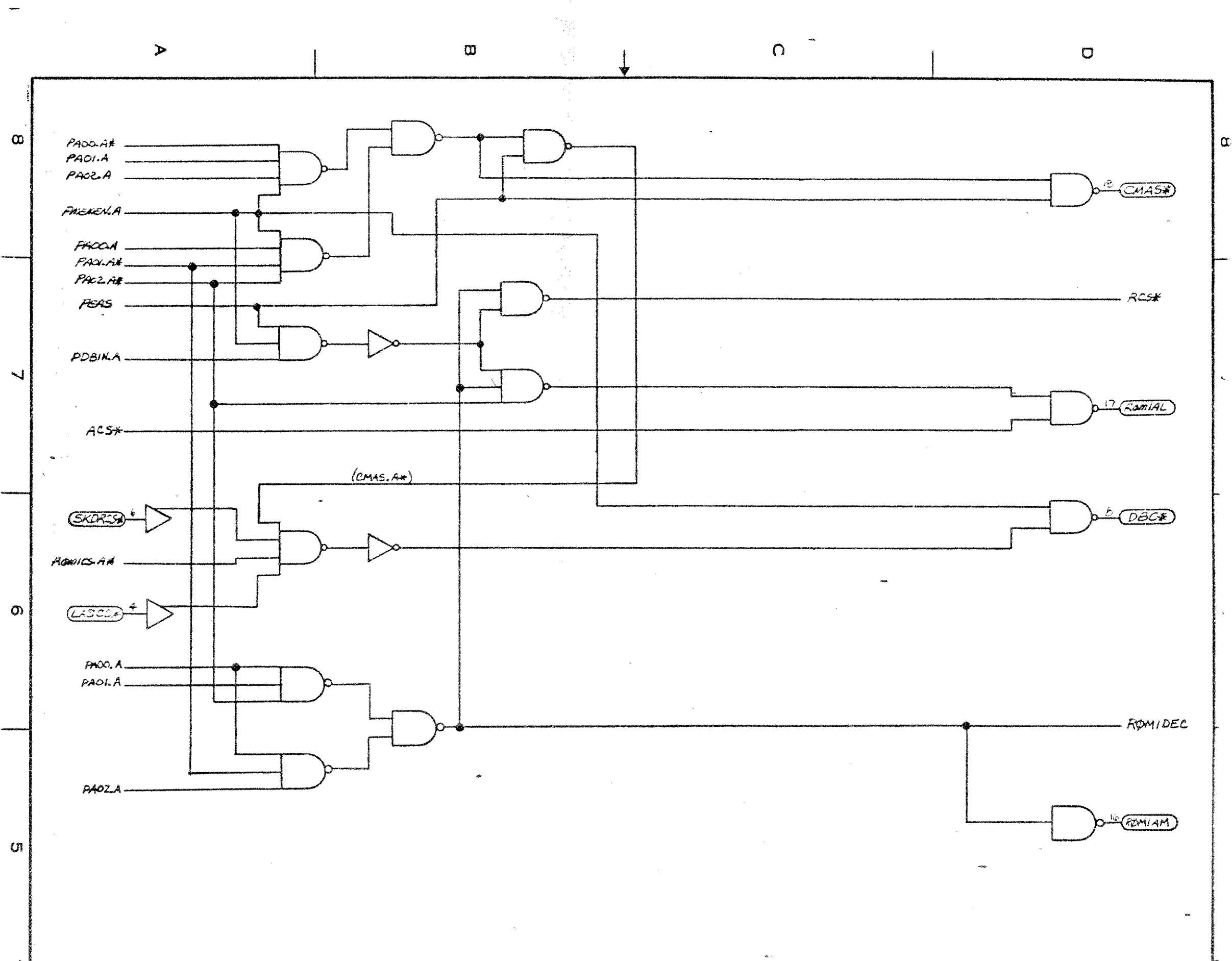
|                         |          |
|-------------------------|----------|
| DIMENSION IDENT. NUMBER |          |
| USED                    | NOT USED |
|                         |          |
| 1049789                 |          |
| SHEET 3                 |          |

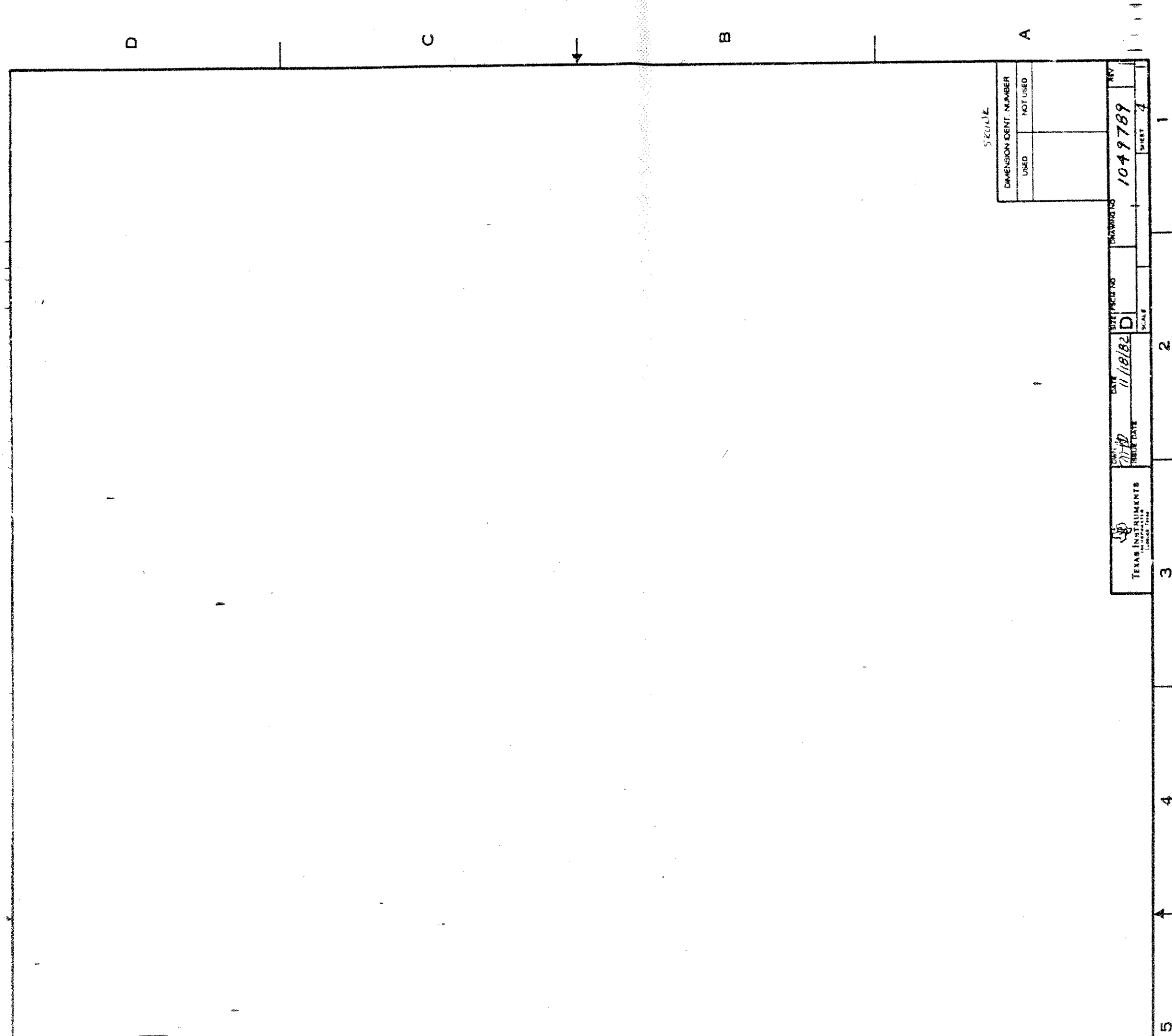
|                   |         |
|-------------------|---------|
| DATE              | 27/1/72 |
| ISSUE DATE        | 1/1/72  |
| SCALE             | D       |
| TEXAS INSTRUMENTS |         |



D C B A

1 2 3 4 5





D

C

B

A

5

4

3

2

1

TEXAS INSTRUMENTS  
INSTRUMENTS  
CORPORATION  
LUBBOCK, TEXAS

DATE  
11/18/82

DATE  
11/18/82

SIZE  
D

DRAWINGS  
1049789

SHEET  
4

|                         |          |
|-------------------------|----------|
| DIMENSION IDENT. NUMBER |          |
| USED                    | NOT USED |
|                         |          |

SCALE